

# ANX Pro16™ A-Net® Pro 16 Network Interface Module Product Bulletin



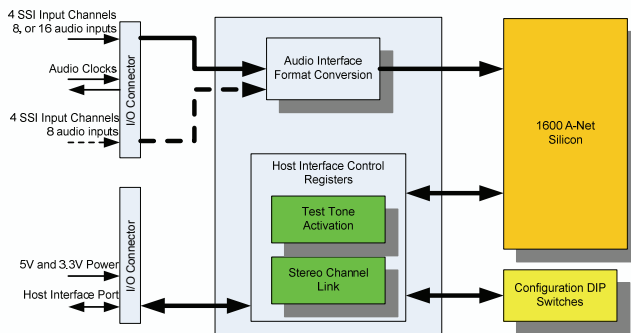
## General Description

The ANX Pro16™ Network Interface Module offers 16 channels of audio to the popular Pro16 A-Net network. This module allows console and other audio manufacturers to connect to Aviom's A-16II and A-16R Personal Mixers.

The ANX Pro16™ is another offering in the Lab X family of mechanically and electrically compatible MIX digital audio network modules.



Based on Aviom's 1600 A-Net silicon coupled with a Xilinx Spartan 3E® FPGA, Lab X can customize the audio interface to seamlessly integrate to manufacturers digital backplanes regardless of the data format. Lab X's engineering services can also turnkey "carrier boards" to facilitate incorporating mounting this and other MIX modules.

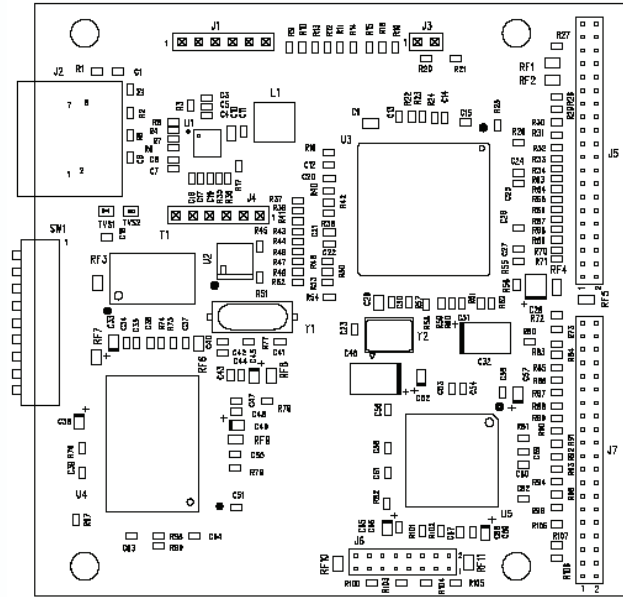


ANX Pro16™ Block Diagram

## Physical Specifications

The ANX Pro16™ module is 3.5" x 3.5" with four mounting holes. Chassis mounting is available via an optional mounting bracket. Also available with optional Stereo Link DIP switches. Configurations are available with two 2mm 40 pin connectors mounted either on the top (component side) or on the bottom to

maximize the flexibility in space limited applications.



## About Lab X Technologies

Lab X Technologies is the Rochester, NY based engineering design firm recognized as the leader in connectivity solutions for the professional audio industry.

Founded in 1996, Lab X has worked with top audio manufacturers to develop leading edge products that embrace the universal need for connectivity and interoperability.

In addition to being an A-Net Partner Provider, Lab X also has extensive experience with EtherSound™, CobraNet, and other audio networking standards.

Lab X Technologies serve our clients in a variety of ways; including augmenting internal design teams, providing pre-engineered connectivity modules, developing innovative product concepts, and producing complete turnkey custom solutions.

ANX Pro16 is a trademark of Lab X Technologies, LLC. Pro16 and A-Net are trademarks of Aviom, Inc. All other trademarks are property of their respective owners. © 2007 Lab X Technologies, LLC. All descriptions and specifications subject to change without notice.